

Our whole experience for you

SBM Mineral Processing

For more than 70 years we at SBM Mineral Processing have been developing and building machines and plants for the stone and earth industry. In addition to stationary plants, we delivered mobile plants to process aggregates for the concrete technology already at an early stage. Today, we are one of the leading manufacturers of track-mounted processing plants with **SBM MOBILE CRUSHING & SCREENING SOLUTIONS**.

We are true pioneers in the development of diesel-electric drive systems for all power classes, which we have been building for over 60 years. All our plants are „hybrid electrified“ today - thanks to extensive standardisation, they convince in natural stone and recycling operations with their outstanding production performance at low operating costs, maximum availability, and simple and safe operation.

With a qualified, cross-industry dealer and service network in all leading markets of the world, we ensure the sustainable and economic success of our customers.

**HYBRID
ELECTRIFIED**

SBM
MINERAL PROCESSING

1950	Foundation of SBM	1980	First mobile track-mounted crushing plant HYBRID ELECTRIFIED	2016	New product line "SBM Mobile"
1960	First mobile crushing plant on wheels HYBRID ELECTRIFIED	2014	Consolidation MFL and SBM Mineral Processing		



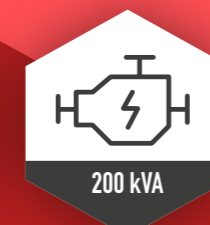
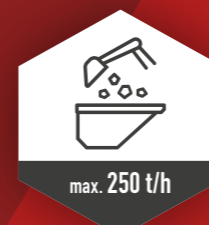
**REMAX
200X**

SBM
MINERAL PROCESSING

SBM Mineral Processing GmbH
Oberweis 401, 4664 Oberweis, Austria
Phone: +43 3612/2703-0 · office@sbm-mp.at
www.sbm-mp.at



REMAX200_ENG/10_2022



MAXimise your results!

Mobile mineral processing technology made by SBM – advantages right down the line

SBM is pursuing a simple goal with its track-mobile processing plants: We offer the technically and economically leading solution in every power class.

Efficient full-hybrid drives, best-in-class crushing performance, productive screening and conveying equipment - all packaged in highly mobile plant technology with exemplary ease of operation.

DRIVE WITH A FUTURE

Constantly rising fuel costs, stricter environmental regulations, high burdens due to maintenance and repair:

It has never made more sense to change to intelligent hybrid technology in mobile processing!

CRUSHING TECHNOLOGY

SBM crushers combine maximum feed size and high throughput with precisely defined product quality: **Benefit from our decades of experience in all areas of crushing technology.**



PERFORMANCE WITHOUT COMPROMISE

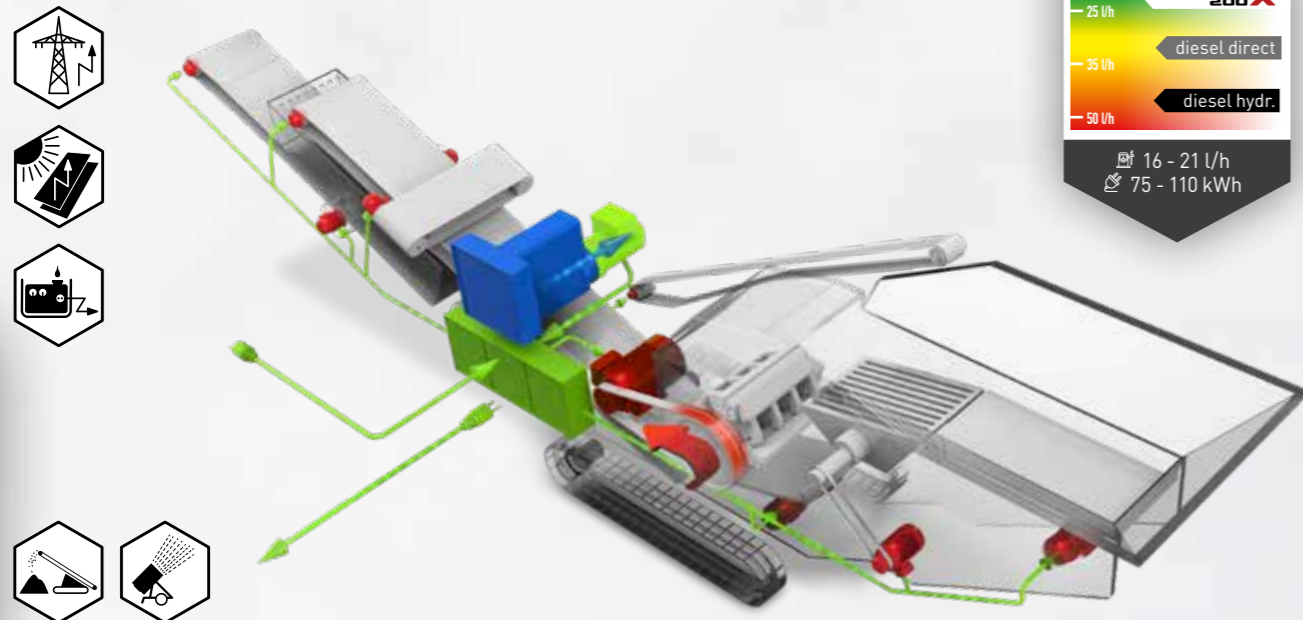
Optimum transfer, high throughput of the standard pre-screening and optional secondary screening unit and large stockpile volumes of the product conveyor belts ensure **full productivity and added value in operation.**

MORE MAN MORE MACHINE

Our constantly further developed **control system CRUSH CONTROL** actively supports your staff in all work steps and **optimises your processes in operation and maintenance.**

Hybrid Pioneers - since 1980

Benefit from the most sophisticated drive system in the market!



DRIVE SYSTEM REMAX 200

Motor	CUMMINS B6.7*
Operating speed	4-stage
Tank capacity Diesel/AdBlue	300 l / 38 l
Generator	200 kVA
Electric motor crusher	110 kW (up to 165 kW peak)
Plug-in grid connection (opt.)	400 V, 200 kVA; 50 - 60 Hz
Plug-out power supply	400 V, 16A

* comply with the current emission regulations

Only SBM consistently relies on the advantages of the **purely electrical drive of conveying, crushing and screening components** in mobile crushing plants of all power classes.

In **independent diesel operation**, a motor/generator unit supplies the energy at low, constant speeds: **low-emission, quiet and extremely economical.**

All electric drives with their cable and plug-in connections are **practically maintenance-free**, do not cause any thermal or stand-by losses and decisively reduce environmental risks due to large hydraulic oil volumes.

In **optional mains operation**, you simply flip a switch, and everything about the plant works as usual - **only without diesel.**

REMAX 200: One for all

The all-purpose weapon in the sub-30-ton class

HARD FACTS

Inlet opening	960 x 680 (800*) mm
Feed size (max. diagonal space)	0 - 500 mm (up to 400 kg per single piece)**
Feed capacity	max. 250 t/h***
Final grain size	0 - 22 to 0 - 90 mm

* Inlet cover open
** Iron reinforcement thickness max. 30 mm and protruding from the concrete block max. 200 mm
*** Depending on feed material, feed size and desired final grain size

Large feed volume – highly efficient pre-screen – 950-impact crusher – high-capacity secondary screen:

With REMAX 200, SBM is setting new standards in flexible and profitable mobile crushing.

Whether as a primary crusher in recycling with reinforced concrete rubble, construction debris and asphalt or as a compact, versatile secondary crusher in a wide variety of raw materials:

We deliver high output, high product quality and low operating costs in a package.

<p>USE natural sandstone, sand & gravel</p> <p>LIMESTONE 0/400 auf 0/90</p> <p>Product performance: 250 t/h Diesel consumption: 21 l/h Impact bars: 2 high / 2 low, hard & tough</p>	<p>USE natural sandstone, sand & gravel</p> <p>RIVER GRAVEL 0/400 auf 0/32</p> <p>Product performance: 150 t/h Diesel consumption: 19 l/h Impact bars: 4 high, hard-chrome plated ceramic</p>	<p>USE construction debris & recycling</p> <p>CONCRETE & BRICK 0/500 auf 0/45</p> <p>Product performance: 160 t/h Diesel consumption: 18 l/h Impact bars: 2 high / 2 low, hard & tough ceramic</p>	<p>USE construction debris & recycling</p> <p>ASPHALT SLABS 0/500 auf 0/22</p> <p>Product performance: 150 t/h Diesel consumption: 20 l/h Impact bars: 4 high, hard-chrome plated ceramic</p>
--	---	--	---

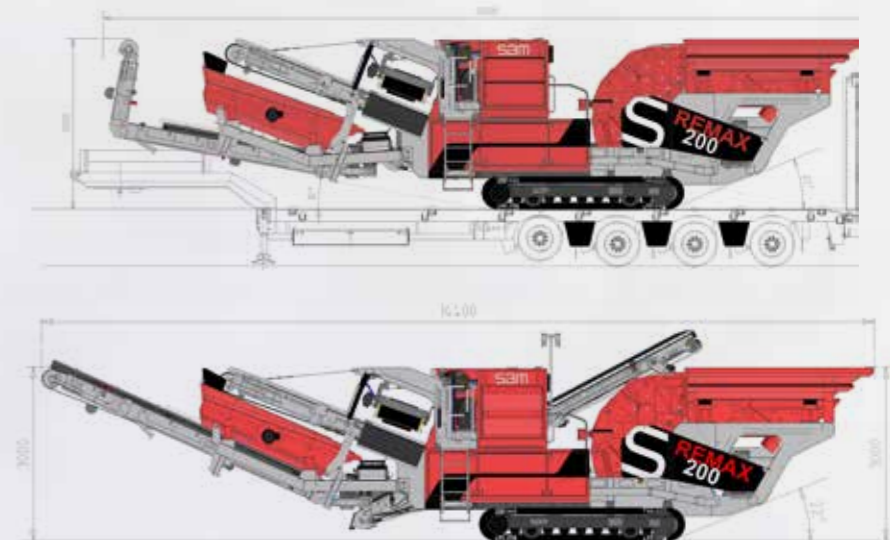
Slim on the road - quick and agile on site

Simple transport - minimum set-up times

We bring high performance to your construction site - fast, safe and easy

The high ground clearance makes transport easy, and even when fully equipped all the equipment remains on the plant. Within just a few minutes, a machine operator makes the plant ready for operation - without tools, supported by the plant control system and safely from the ground.

Perfectly balanced, REMAX 200 with its robust two-stage chain drive can reach even remote and elevated work sites independently! Even in difficult terrain it can be set up and repositioned quickly, it always keeps loading routes and loading times short and optimises your construction site logistics.



TRANSPORT DIMENSIONS	LENGTH	WIDTH	HEIGHT	WEIGHT*
without secondary screening unit	11.200 mm	2.750 mm	3.000 mm	23.000 kg
with secondary screening unit 1-deck	14.400 mm	3.000 mm	3.000 mm	27.000 kg

*total weight including all options

1-DECK SECONDARY SCREENING UNIT (OPTION)

- 1-deck circular vibratory screen with twin drive
- 1-deck: 1.000 x 2.500 mm
- fines conveyor
- discharge height: 3.000 mm
- stockpile volume up to 150 t
- easy to dismount

CRUSHER DISCHARGE CONVEYOR

- quality: Rip-Stop
- discharge height: 3.000 mm
- stockpile capacity up to 120 t
- hydraulic folding for transport

MAGNETIC SEPARATOR

- permanent or electromagnet (optional)
- height-adjustable via radio remote control

FREQUENCY-CONTROLLED FEEDING CHUTE

- width: 900 mm
- wear lining made of highly wear-resistant steel
- automatic control of the feeding speed according to crusher load
- Option: integrated pre-separator grate

4,0 m³ FEED HOPPER

- highly wear-resistant steel construction
- three-sided, folding walls

**HYBRID
ELECTRIFIED**

PRE-SCREENING CONVEYOR (OPTION)

- discharge height: 1.700 mm
- stockpile capacity up to 40 t
- hydraulic folding for transport



OPTIONS

- wind sifter with frequency converter
- plant mains operation (plug-in)
- single-roll belt weighers
- water spraying at conveyor discharge
- plant lighting
- refuelling pump for diesel generator set

OVERSIZE MATERIAL RETURN CONVEYOR

- stepless adjustable belt speed
- hydraulic swiveling to stockpile
- discharge height: 3.500 mm
- stockpile capacity up to 130 t
- hydraulic folding for transport

CRUSHER DISCHARGE CHUTE

- width: 1.000 mm
- wear lining made of highly wear-resistant steel
- frequency-converter-controlled drive with cleaning function

DRIVE FRAME AND TRACK RUNNING GEAR

- reinforced and weight-optimised frame structure
- track running gear integrated in the frame
- proportional drive
- speed: max. 1,25 km/h
- climbing ability: 27 %

**REMAX
200X**



Versatile, powerful and safe

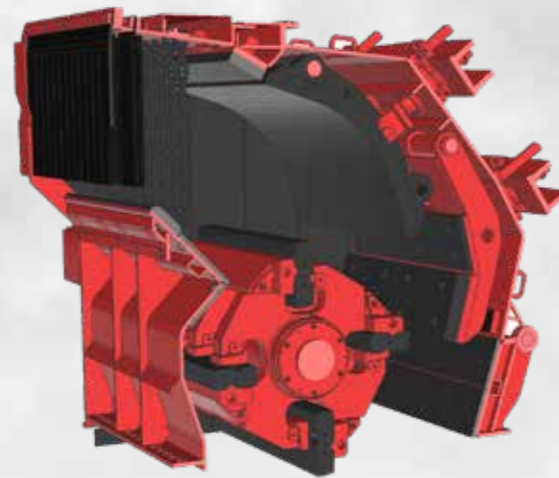
All our knowledge for your tasks

The 950-impact crusher incorporates our decades of experience in crushing technology. The large-dimensioned feed opening, a high crushing ratio and large power reserves of the electric drive make it the ideal plant for recycling applications.

In all applications, it convinces with its high, precisely adjustable product quality. The excellent accessibility of the crusher chamber with multiple-protection and the optimised design of all wear parts guarantee high availability in long continuous operation.

HOUSING

- housing made of high tensile steel
- optimised inlet geometry for maximum penetration into the impact range
- hydraulic opening of the inlet flap and the housing
- simple change of wear parts, interchangeable to ensure optimum utilisation and reduced stock-keeping



IMPACT TOOLS

- 2 independent crushing stages
- simple & easy gap adjustment
- power transmission system of the impact tools
- high foreign matter compatibility due to optimised by-passes
- massive mono-block system - revolvable for maximum utilisation

DRIVE

- electric motor 110 kW (peak load up to 165 kW)
- 4 rotation speeds/ rotor circumferential speed: 33-39 m/s
- belt drive with tensioner

ROTOR WITH IMPACT BARS

- welded and annealed steel structure
- 950-crusher
- 4 impact bars
- simple change of impact bars sideways or upwards
- impact bars revolvable for maximum utilisation

SAFETY

- rotor re-turning device, lockable in all positions
- safe changing of impact bars
- easy removal of blockages
- key system with monitored stand-still of the rotor

Always the right tools

Original impact bars made by SBM get the best from your crusher

Only impact bars in OEM quality ensure the full performance of your SBM crusher and prevent uncontrollable wear. Precisely matched to the crushing characteristics of our technology, our originals simply deliver more, longer, and more economically.



This illustration helps you to choose the optimum impact bars for normal crushing operations. For special applications, please contact your SBM partner.

Everything under „CRUSH CONTROL“

Up-to-date support in operation and maintenance

Intuitive operability, fast reactions if necessary and significantly reduced workload of machine operators, technicians or dispatchers are the advantages of our control system CRUSH CONTROL with mobile radio-based app solution.

INTUITIVE & SAFE

- simple plant start/stop via classic push buttons
- operator guidance and status display via 10-inch colour display
- quick adjustment of performance parameters via touch screen

OPTIMISED PRODUCTIVITY

- continuous monitoring of all plant functions
- load-dependent crusher feeding via frequency-controlled feed chute
- comfortable and safe one-man operation of the complete plant via multifunctional remote control from excavator/loader

ALWAYS INFORMED

- current location and machine data via **personalised app solution**
- accessible at any time and from everywhere via the internet
- individually configurable information on operating data, production output (opt.) and maintenance status of your plant

QUICK SUPPORT

- authorised remote access to machine functions by SBM technicians or SBM customer service
- fast troubleshooting or process optimisation without on-site intervention

THE COMFORT PLUS IN SERIES

- 10 integrated functions
- complete plant operation
- proportional drive control
- radio link monitoring with emergency shutdown



Find here the access to our app.

The professionals at your side

Comprehensive dealer support for all industries

We are continuously expanding our international dealer network with strong and experienced sales and service partners. Together with our product specialists, they will find the right solution for you and accompany you throughout the whole life of the plant.



Find your SBM partner in your region here

CUSTOMER SERVICE AND SALES

The trained customer consultants of our trade partners will support you in selecting the track-mobile crushing plants best-suited for YOU with the corresponding equipment. They will provide you with information and forecasts on production output as well as investment costs, making your investment transparent and secure in the medium- and long-term range.



PARTS LOGISTICS

SBM partners provide professional back-up in the quick supply of spare and wear parts, thus ensuring full availability of your key machines.



The WEB shop simplifies your orders.

QUALIFICATION

From machine handover to regular training for your employees - our partners offer a wide range of services for every industry.

MAINTENANCE & SERVICE

Whether it is scheduled regular maintenance, a large all-round service or rapid intervention on the construction site - our partners are ready to help: competent, well-prepared and dependable.