

KOMATSU

PW198-11



Hydraulic wheeled excavator

Engine power
129 kW / 173 HP @ 2000 rpm

Operating weight
17385 - 19630 kg

Bucket capacity
max. 1.13 m³



Save time

Increased productivity:
20% vs previous model



Short tail swing

Reduced tail swing: -570 mm
vs standard tail model



Save costs

Reduced fuel consumption:
-8% vs previous model



Engine power
129 kW / 173 HP @ 2000 rpm

Operating weight
17385 - 19630 kg

Bucket capacity
max. 1.13 m³

High versatility, low transportation height and safe performance in tight spaces

Powerful and environmentally friendly

- EU Stage V engine
- Adjustable idle shutdown
- 8000 h KDPF cleaning interval
- Excellent travel performance
- High lifting capacity
- HVO diesel fuel ready



Total versatility

- Ideal for a wide range of applications
- Additional hydraulic circuit
- Komatsu Integrated Attachment Control (KIAC) (option)
- A wide choice of options
- Factory-equipped for tiltrotator use
- Prepared for 3D aftermarket systems

First-class operator comfort

- Premium air-suspended operator seat with integrated joystick consoles (option)
- Boom suspension system (ECSS) (option)
- Low noise level inside and outside
- Joystick steering system (option)
- Automatic digging brake (option)

Safety first

- Compact design with short tail swing radius
- KomVision surround view system
- LED lighting standard
- Safe access to cab and maintenance

Easy maintenance

- Ground level service access
- Centralised greasing system
- User-friendly location of the electric refuelling pump
- Simple access to the AdBlue® tank
- Komatsu Care included

Digital assistance & guidance

- Komtrax – Komatsu wireless monitoring system
- Smart Construction 3D Machine Guidance (option)



Higher productivity

Along with its compact size, the PW198-11 features an unrivalled lifting performance. The combination of power, weight distribution, convenient dimensions and complete control makes it the top choice for heavy-duty lifting applications, simple excavating tasks in narrow alleys, and for road and sewer construction sites.

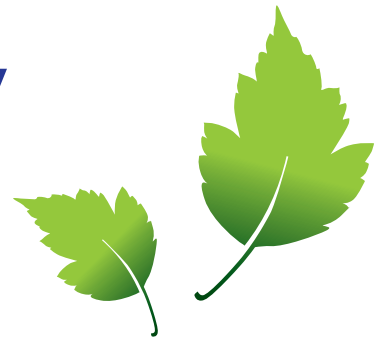
Komatsu fuel-saving technology

Engine management is enhanced. The variable speed matching of the engine and hydraulic pumps guarantee efficiency and precision during single and combined movements. A viscous clutch enables variable cooling fan speed to further reduce fuel consumption.

Adjustable idle shutdown

The Komatsu auto idle shutdown automatically turns off the engine after it idles for a set period of time. This feature can easily be programmed from 5 to 60 minutes, to reduce unnecessary fuel consumption and exhaust emissions, and to lower operating costs. An Eco-gauge and the Eco guidance tips on the cab monitor further encourage efficient operations.

Powerful and environmentally friendly

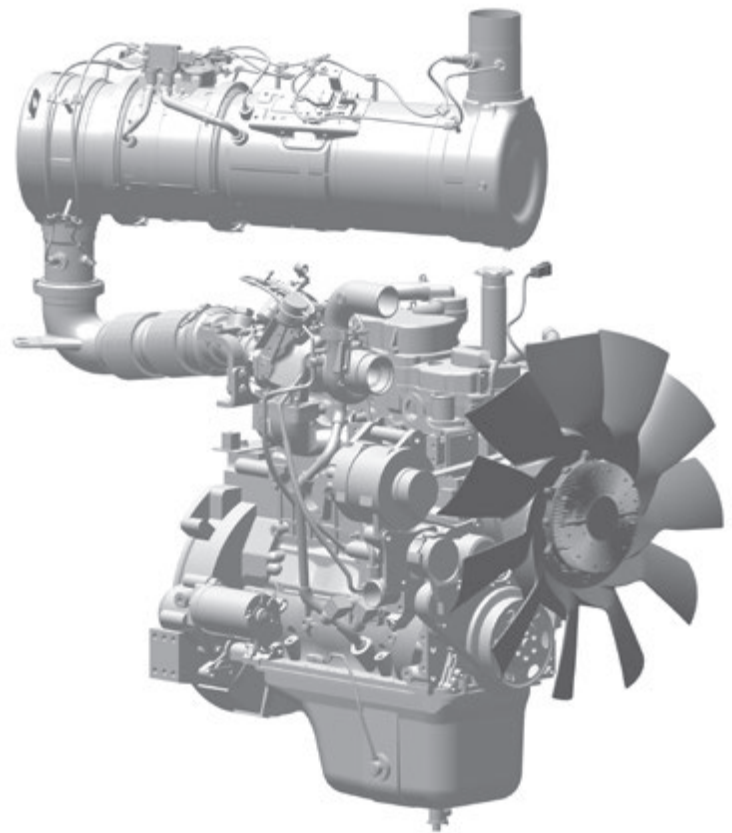


Komatsu EU Stage V

The Komatsu EU Stage V engine is productive, dependable and efficient. With ultra-low emissions, it provides a lower environmental impact and a superior performance to help reduce operating costs and lets the operator work in complete peace of mind.

Heavy-duty aftertreatment

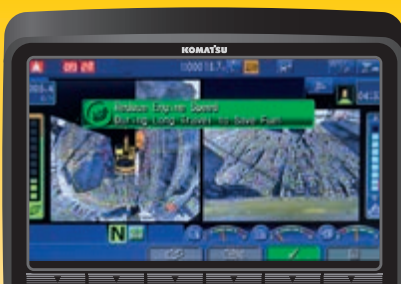
The aftertreatment system combines a Komatsu Diesel Particulate Filter (KDPF) and Selective Catalytic Reduction (SCR). The SCR injects the correct amount of AdBlue® into the system at the proper rate to break down NOx into water (H₂O) and non-toxic nitrogen gas (N₂).



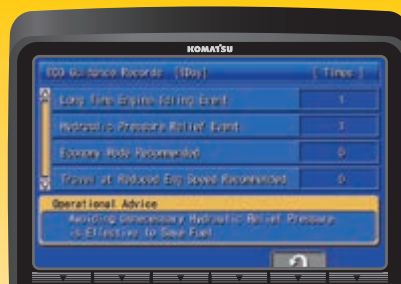
HVO diesel fuel ready



Committed to reducing CO₂ emissions, Komatsu diesel engines are compatible with paraffinic fuels (HVO, GTL, BTL) as per EN 15940:2016. All new wheeled excavators come with an initial fill of HVO diesel directly from the factory.



Eco-gauge, Eco guidance and fuel consumption gauge



ECO guidance record



Fuel consumption history

PW198-11

Ideal for a wide range of applications

Powerful and precise, the Komatsu PW198-11 is equipped to efficiently carry out any task your business requires. On big sites or small, for digging, trenching, landscaping or site preparation, the Komatsu original equipment hydraulic system always ensures maximum productivity and control.

Additional hydraulic circuit

To allow the use of many attachments, such as buckets, breakers or clamshell buckets, an additional hydraulic circuit controlled by a sliding joystick button is standard on the PW198-11. To further increase versatility and flexibility, a second optional auxiliary circuit and an optional hydraulic quick-coupler actuation are also available. In combination with the Komatsu Integrated Attachment Control (KIAC), changing and operating different attachments becomes child's play.

Boom suspension system (ECSS)

An optional electrical controlled suspension system (ECSS) for the boom provides a significant increase in comfort when traveling over bumps.







Tiltrotator preparation

The PW198-11 comes factory-equipped as standard for use with a tiltrotator. With an open system design, the machine can be made even more productive and easily fitted with a tiltrotator of your choice. Tools with high hydraulic flow demands can be used simultaneously with a tiltrotator and full hydraulic quick couplers, thanks to the powerful second auxiliary circuit.

Komatsu Integrated Attachment Control (KIAC) (option)

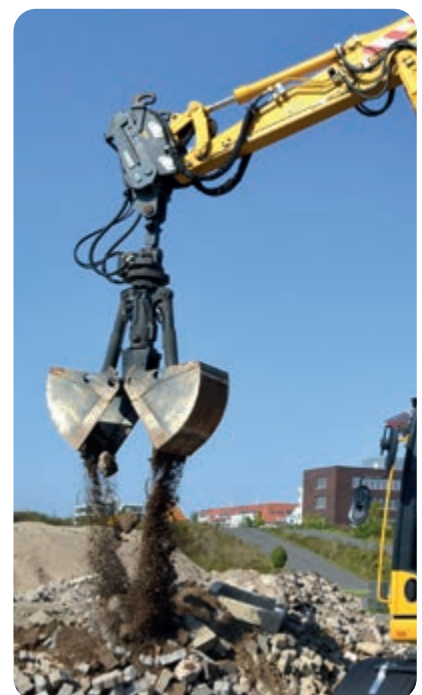
For fast and safe tool changes without leaving the cab, the settings for oil flow and pressure of up to 15 hydraulic attachments are available as presets directly on the monitor panel. Komatsu Integrated Attachment Control (KIAC) includes adjustments for the first and second (optional) hydraulic circuits. Selecting the breaker mode automatically cuts all pressure in the return line.



Komatsu Integrated Attachment Control (KIAC)



Adjustable oil flow



Total versatility



Standard or wide axles

No matter the job, with a small turning radius and excellent traction the axles are built for a maximum performance. For even better stability a 2750 mm wide axle is available. If more traction is needed, an optional 35% differential lock helps to get over rough terrain. To keep the machine cleaner, robust fenders are also available as option.

Trailer hitch

For increased versatility, the PW198-11 can be equipped with either a ball type hitch or a truck type automatic hitch, for trailers up to 7.5 tonnes with an overrun brake. All necessary electric and hydraulic hook-ups are provided, including two auxiliary undercarriage circuits for dumping or tail-gate operation. These trailer functions can be operated from the cab joysticks.

Automatic digging brake

The optional digging brake automatically activates the service brake and oscillation lock when the machine stops, and it releases them when the machine accelerates again. The operator can fully focus on the job with no need to step on the brake.



A safe work environment

The SpaceCab™ provides an ergonomic and quiet work environment, with an outstanding view of the jobsite. ROPS certified, it was specifically designed by Komatsu for hydraulic excavators, with a reinforced pipe-structured framework set up on viscous damper mounts for low vibration levels.

Premium comfort seat (option)

The premium comfort seat comes with suspended joystick consoles, top quality cushioning, auto weight adjustment, pneumatic lumbar support and a climate control system for perfect seat temperature adjustment.

Low-noise design

Komatsu wheeled excavators have low external noise levels, making them ideal for confined spaces and urban areas. Sound insulation and absorbing materials reduce cabin noise to levels similar to an executive car.

Increased operator convenience

With a DAB+ radio with Bluetooth®, USB and hands-free kit, 12 V and 24 V power supplies, the cab offers maximum convenience. The automatic air conditioner allows the operator to easily and precisely set the cab's atmosphere.



Ergonomically designed switches that light up for safe and easy night operation



The standard telescopic steering wheel is comfortably adjustable in height and reach

First-class comfort



Easy operation

The Komatsu PW198-11 features an operational concept that puts full control of the machine right at the operator's fingertips. Different camera views, undercarriage attachments and the manual axle lock can all be actuated by buttons on top of the operational levers. Without removing the hand from the joystick, the operator can switch from boom operation to undercarriage control for complete and precise control over the parallel dozer blade.

Widescreen monitor

Installed with a choice of 26 languages, the widescreen monitor with simple switches and multifunction keys gives fingertip access to a large range of functions and operating info.

Joystick steering

With the optional joystick steering the operator can precisely fingertip control the machine on any jobsite. This allows the easy combined operation of driving and working with the attachment simultaneously.

Excellent visibility

Perfect visibility from cabin through large windows, mirrors and four standard mounted KomVision cameras with 270° surround view.



Safety first

Safe lifting operations

The centrally positioned slewing ring and rear engine provide optimal weight distribution, ensuring equal lifting capacities at both the front and rear while maintaining permissible axle loads across all equipment variants.

Easy & safe transport to the next job site

With a low construction height of just 3.1 meters, the PW198-11 is easily transportable on standard low loaders with a loading height of up to 4 meters. This design also lowers the machine's center of gravity, enhancing lifting performance and driving stability.

KomVision

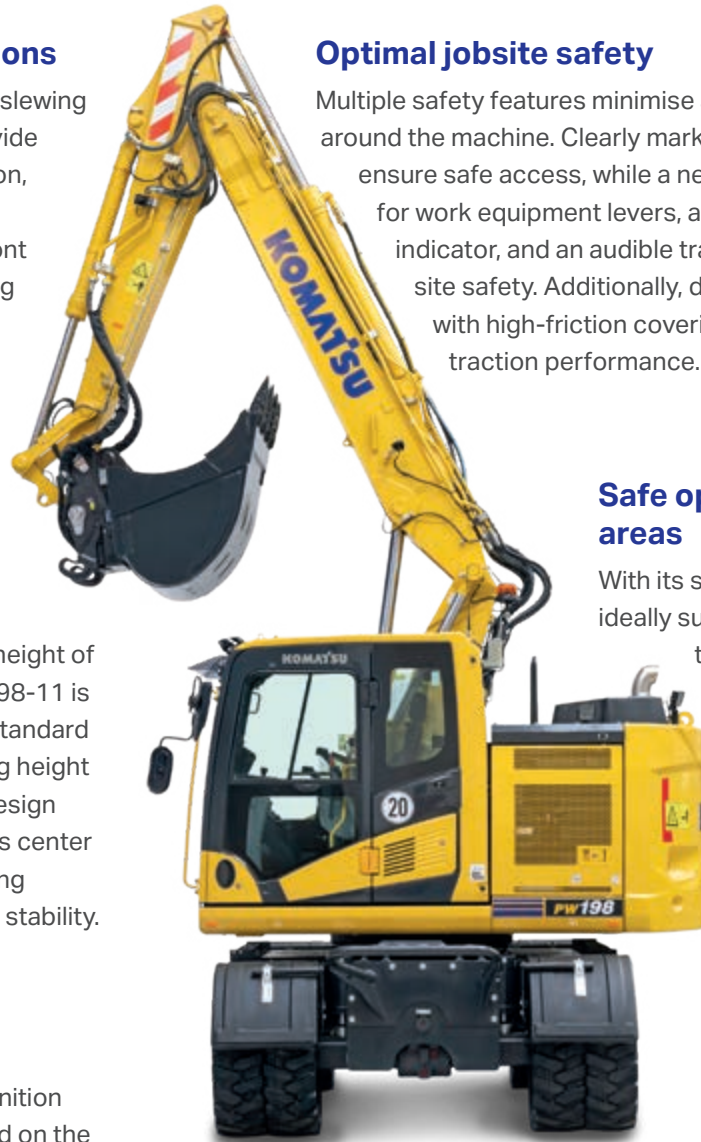
With a series of high definition networked cameras fitted on the machine, KomVision provides a crystal clear, real-time bird's eye view of the immediate surroundings on the widescreen cab monitor. The operator can quickly and easily check the machine's vicinity prior to making any movement, and focus on the work at hand even in low light conditions.

Optimal jobsite safety

Multiple safety features minimise accident risk in and around the machine. Clearly marked steps and handrails ensure safe access, while a neutral detection system for work equipment levers, a seat belt warning indicator, and an audible travel alarm enhance job site safety. Additionally, durable anti-slip plates with high-friction coverings provide long-term traction performance.

Safe operation in confined areas

With its short tail, the PW198-11 is ideally suited for operations in the tightest of spaces. Thanks to its minimal tail swing radius, it can work close to obstacles, allowing for minimal barriers around the working area.



Full LED lighting for improved visibility



Handrails and anti-slip plates for convenient and safe maintenance access



Digital assistance & guidance



The way to higher productivity

Komtrax turns telematics data into actionable insights for your fleet and equipment, empowering your business to make well-informed, data-driven decisions. By creating a tightly integrated web of support, Komtrax allows for proactive and preventive maintenance to minimise downtime and facilitate peak machine performance.



Smart Construction 3D Machine Guidance

The optionally available Smart Construction 3D Machine Guidance kit provides customers with a simple and accessible 3D GNSS system, allowing precise digging capabilities. 3D machine guidance uses technology, such as sensors, GPS and computers to improve digging accuracy. It works by comparing where the bucket is in the real world to a 3D digital model, essentially giving operators a virtual guide to assist them in their work. Additionally, it comes with a payload meter option and a customisable safety zone feature.



Easy maintenance

Simple and convenient service

Ground level access ensures convenient daily service. Filters are centralised and long service intervals keep machine downtime to a minimum.

Easy radiator access

Thanks to a side-by-side cooler arrangement, the aftercooler and hydraulic oil radiator can be cleaned easily and repaired individually in case of damage.

Electric refuelling pump

Standard equipment on all PW198-11 includes an automatic shut-off fuelling pump that allows easy refuelling from a barrel.

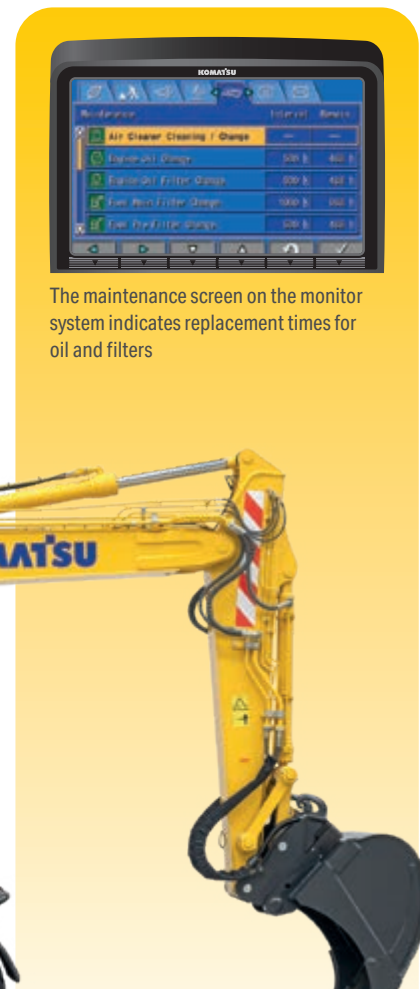


Komatsu Care

Komatsu Care is a maintenance program that comes as standard with your new Komatsu machine. It covers factory-scheduled maintenance, performed with Komatsu Genuine parts by Komatsu-trained technicians. It also offers extended coverage of the Komatsu Diesel Particulate Filter (KDPF) and of the Selective Catalytic Reduction (SCR). Please contact your local Komatsu distributor for terms and conditions.

Remote greasing bar

The PW198-11 features a centralised system that facilitates the regular greasing of the boom. An optional fully automatic greasing system can handle the regular and proper greasing of the complete machine – prolonging the lifetime and increasing the resale value of the excavator.



The maintenance screen on the monitor system indicates replacement times for oil and filters



Specifications

PW198-11E1

Engine

Model	Komatsu SAA4D107E-5
Type	Common rail direct injection, water-cooled, emissionised, turbocharged, after-cooled diesel
Engine power	
at rated engine speed	2000 rpm
ISO 14396	129 kW / 173 HP
ISO 9249 (net engine power)	125 kW / 168 HP
No. of cylinders	4
Bore × stroke	107 × 124 mm
Displacement	4.5 l
Air filter type	Double element type with monitor panel dust indicator and auto dust evacuator
Cooling	Suction type cooling fan with radiator fly screen
Fuel	Diesel fuel, conforming to EN590 Class 2/ Grade D. Paraffinic fuel capability (HVO, GTL, BTL), conforming to EN 15940:2016

Hydraulic system

Type	HydraMind. Closed-centre load sensing system with pressure compensation valves
Additional circuits	Depending on the specification up to 2 additional proportional control & quick-coupler circuits can be installed
Main pump	Variable displacement piston pump supplying boom, arm, bucket, swing and travel circuits
Max. pump flow	295 l/min
Relief valve settings	
Implement	380 kg/cm ²
Travel	420 kg/cm ²
Swing	290 kg/cm ²
Pilot circuit	36 kg/cm ²

Swing system

Type	Axial piston motor driving through planetary double reduction gearbox
Swing lock	Electrically actuated wet multi-disc brake integrated into swing motor
Swing speed	0 - 11.5 rpm
Swing torque	43 kNm

Steering system

Steering control	Hydraulic steering system supplied from a separate gear pump and controlled through LS orbitrol & priority valves
Min. turning radius	6800 mm

Brake system

Type	Dual circuit hydraulic braking system supplied from a separate gear pump
Service brakes	Pedal actuated wet multi-disc brakes integrated into the axle hubs
Parking brake	Electrically actuated wet multi-disc "spring actuation hydraulic release" brake integrated into the transmission

Transmission

Type	Fully automatic power shift transmission with permanent 4 wheel drive
Travel motors	One variable displacement axial piston motor
Max. pressure	380 bar
Travel modes	Automatic + 3 travel modes
Max. travel speeds	
Hi / Lo / Creep	35.0 / 10.0 / 2.5 km/h
	A max. speed restriction of 20 km/h is available as an option
Max. drawbar pull	10900 kg
Axle oscillation	8° Lockable in any position from the operator cab

Service refill capacities

Fuel tank	267 l
Radiator	22 l
Engine oil	18 l
Swing drive	5.5 l
Hydraulic tank	90 l
Transmission	3.0 l
Front differential	9.5 l
Rear differential	12.4 l
Front axle hub	2.5 l
Rear axle hub	2.5 l
Swing pinion grease bath amount	9.0 l
AdBlue® tank	57.7 l

Environment

Engine emissions	Fully complies with EU Stage V exhaust emission regulations
Noise levels	
LwA external	100 dB(A) (2000/14/EC Stage II)
LpA operator ear	69 dB(A) (ISO 6396 dynamic test)
Vibration levels (EN 12096:1997)	
Hand/arm	≤ 2.5 m/s ² (uncertainty K = 0.34 m/s ²)
Body	≤ 0.5 m/s ² (uncertainty K = 0.16 m/s ²)
Contains fluorinated greenhouse gas HFC-134a (GWP 1430). Quantity of gas 0.9 kg; CO ₂ equivalent 1.29 t	

Operating weight (appr.)

Arm length	2100 mm		2500 mm		3000 mm	
Axle	2550 mm	2750 mm	2550 mm	2750 mm	2550 mm	2750 mm
Undercarriage attachment type						
Without	17385 kg	17435 kg	17435 kg	17485 kg	17495 kg	17540 kg
Rear blade	18130 kg	18195 kg	18175 kg	18245 kg	18235 kg	18300 kg
2 blades	18870 kg	18955 kg	18920 kg	19005 kg	18975 kg	19065 kg
Rear outriggers	18345 kg	18480 kg	18395 kg	18530 kg	18455 kg	18585 kg
2 outriggers + blade	19085 kg	19240 kg	19135 kg	19290 kg	19195 kg	19345 kg
4 outriggers	19305 kg	19525 kg	19355 kg	19575 kg	19410 kg	19630 kg

Operating weight, including specified work equipment, Tire 10.00-20 16PR NB38 MITAS, operator, lubricant, coolant, full fuel tank, bucket (530 kg) and the standard equipment.

Max. bucket capacity and weight

Arm length	2100 mm		2500 mm		3000 mm	
Material weight up to 1.2 t/m ³	1.13 m ³	770 kg	1.13 m ³	770 kg	1.13 m ³	770 kg
Material weight up to 1.5 t/m ³	1.13 m ³	770 kg	1.13 m ³	770 kg	0.94 m ³	680 kg
Material weight up to 1.8 t/m ³	1.13 m ³	770 kg	1.13 m ³	770 kg	0.85 m ³	640 kg

Max. capacity and weight have been calculated according to ISO 10567:2007.

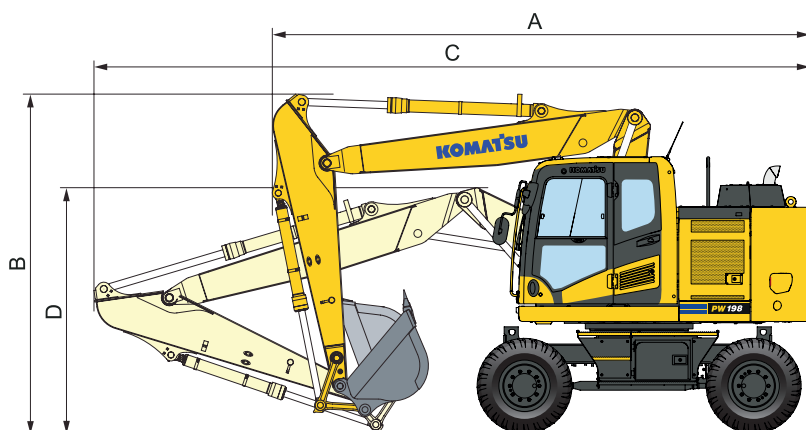
Please consult with your distributor for the correct selection of buckets and attachments to suit the application.

Bucket and arm force

Arm length	2100 mm	2500 mm	3000 mm
Bucket digging force	102 kN	102 kN	102 kN
Bucket digging force at PowerMax	111 kN	111 kN	111 kN
Arm crowd force	80 kN	72 kN	64 kN
Arm crowd force at PowerMax	87 kN	78 kN	69 kN

Dimensions and performance figures

Two-piece boom



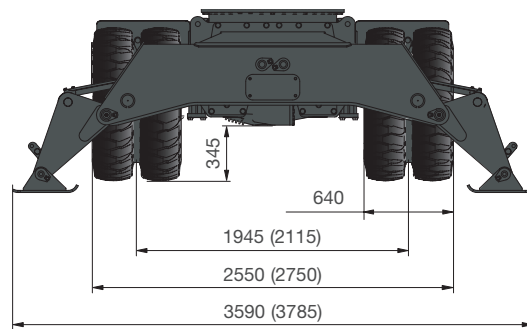
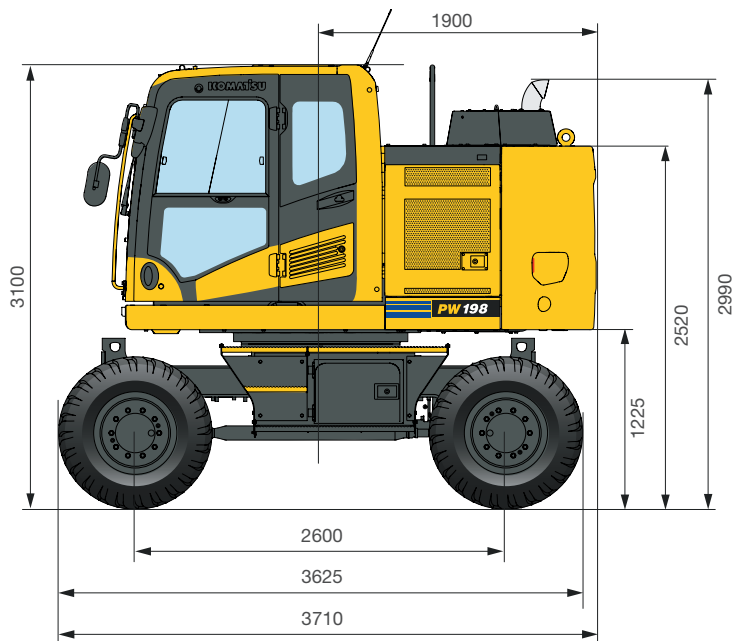
Driving position

Arm length	A	B
2100 mm	5955 mm	3980 mm
2500 mm	6000 mm	3985 mm
3000 mm *	6320 mm	3960 mm

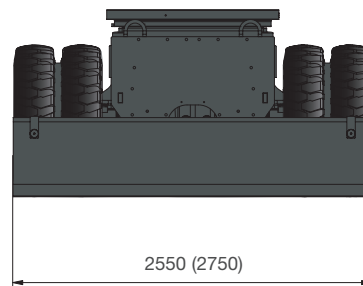
Transport position

Arm length	C	D
2100 mm	8100 mm	2810 mm
2500 mm	8090 mm	2920 mm
3000 mm	8060 mm	3090 mm

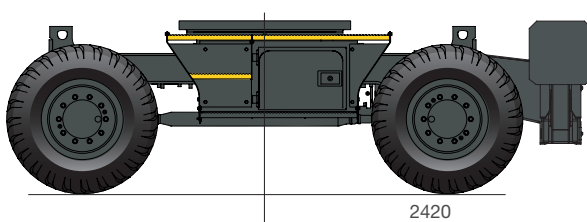
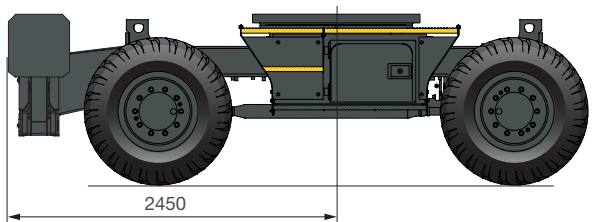
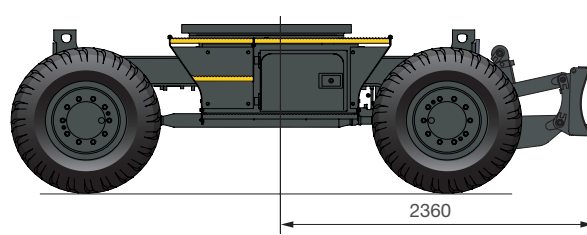
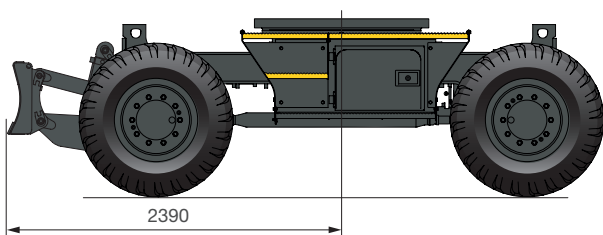
* Driving position without bucket



All dimensions with tyres Bandenmarkt Excavator 315/70 R22.5

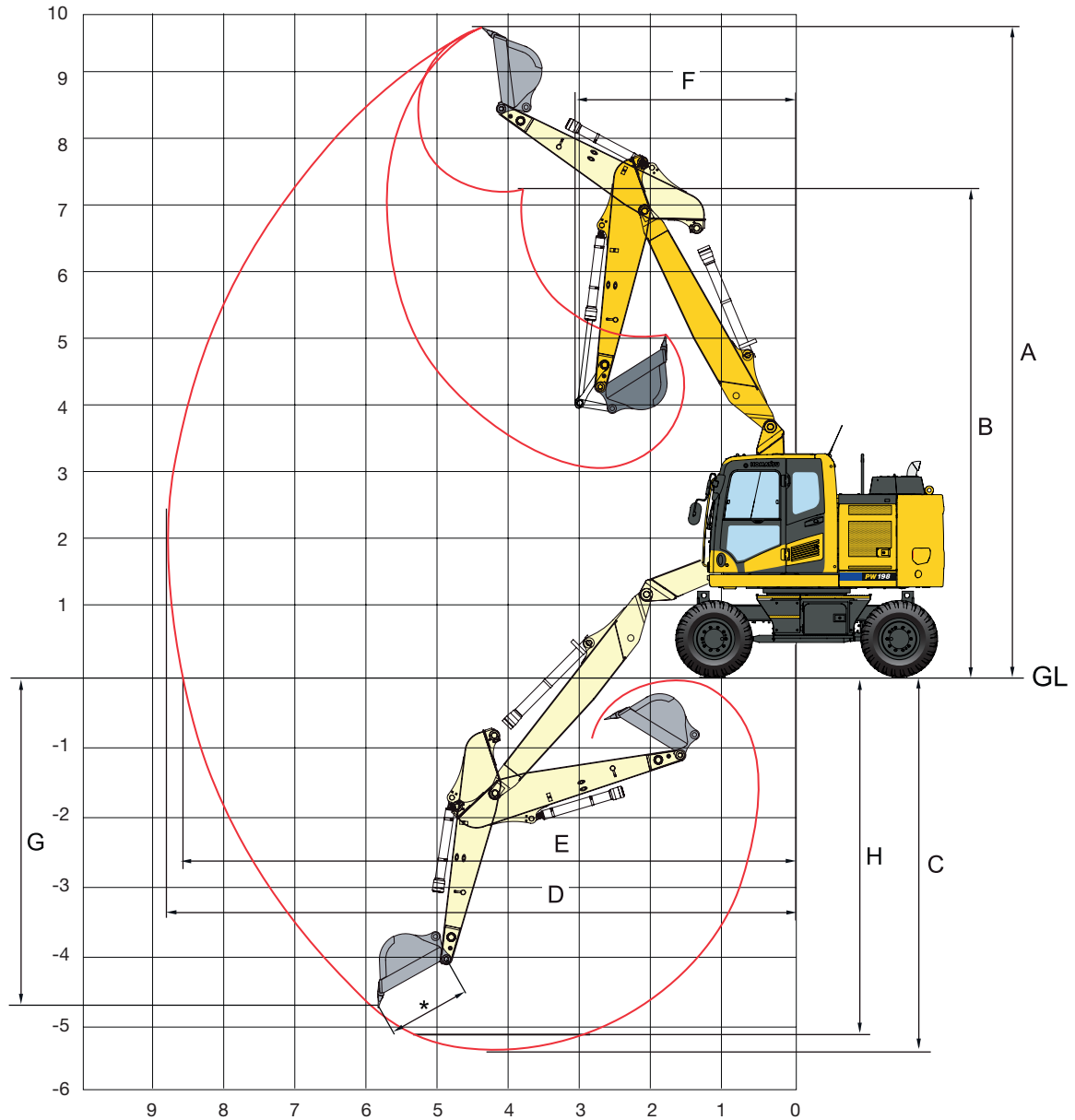


(): Figures for 2.75 m undercarriage




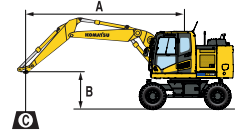
Working range

Two-piece boom



Arm length	2100 mm	2500 mm	3000 mm
A Max. digging height	9635 mm	9910 mm	10255 mm
B Max. dumping height	7045 mm	7320 mm	7665 mm
C Max. digging depth	5210 mm	5605 mm	6095 mm
D Max. digging reach	8700 mm	9065 mm	9520 mm
E Max. digging reach at ground level	8470 mm	8885 mm	9330 mm
F Min. swing radius	2625 mm	2755 mm	2910 mm
G Max. vertical wall digging depth	3670 mm	4040 mm	4510 mm
H Max. digging depth of cut for 2440 mm level	5025 mm	5435 mm	5945 mm

Arm length	A		7.5 m		6.0 m		4.5 m		3.0 m		1.5 m		
	B												
 Outrigger + blade	2100 mm	7.5 m	kg * 3850	* 3850				* 4750	* 4750				
		6.0 m	kg * 3350	* 3350			* 4350	* 4350	* 5350	* 5350			
		4.5 m	kg * 3250	* 3250			* 5650	5000	* 6450	* 6450	* 6650	* 6650	
		3.0 m	kg * 3300	* 3300	* 3600	3450	* 6250	4850	* 8000	8000	7550		
		1.5 m	kg * 3500	3300	* 4550	3400	* 6750	4700	* 9200	7150			
		0.0 m	kg * 3900	3400			* 7000	4600	* 9650	6950			
	2500 mm	- 1.5 m	kg * 4700	3750			* 6650	4550	* 9000	6900	* 8750	* 8750	
		- 3.0 m	kg * 5350	4850					* 7400	7000			
		- 4.5 m	kg										
		7.5 m	kg * 3300	* 3300					* 4450	* 4450			
		6.0 m	kg * 2950	* 2950			* 4250	* 4250	* 4500	* 4500			
		4.5 m	kg * 2850	* 2850			* 5000	* 5000	* 5250	* 5250			
3000 mm	3.0 m	kg * 2900	* 2900	* 4300	3450	* 6000	4900	* 7550	* 7550				
	1.5 m	kg * 3050	* 3050	* 5200	3400	* 6600	4700	* 8950	7200				
	0.0 m	kg * 3400	3150	* 5250	3350	* 6950	4550	* 9550	6950				
	- 1.5 m	kg * 4100	3450			* 6750	4500	* 9300	6900	* 8350	* 8350		
	- 3.0 m	kg * 5000	4200			* 5650	4550	* 8000	6900				
	- 4.5 m	kg											



A – Reach from swing center

B – Bucket hook height

C – Lifting capacities, including bucket linkage (190 kg) and bucket cylinder (104 kg)


– Rating over front

– Rating over side




– Rating at max. reach

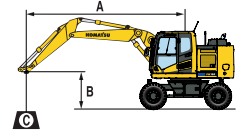
When removing linkage or cylinder, lifting capacities can be increased by their respective weights.

* Load is limited by hydraulic capacity rather than tipping. Ratings are based on ISO standard 10567. Rated loads do not exceed 87% of hydraulic lift capacity or 75% of tipping load.

 Outrigger front + rear	2100 mm	7.5 m	kg * 3850	* 3850				* 4750	* 4750				
		6.0 m	kg * 3350	* 3350			* 4350	* 4350	* 5350	* 5350			
		4.5 m	kg * 3250	* 3250			* 5650	* 5650	* 6450	* 6450	* 6650	* 6650	
		3.0 m	kg * 3300	* 3300	* 3600	* 3600	* 6250	5900	* 8000	8000			
		1.5 m	kg * 3500	* 3500	* 4550	4150	* 6750	5750	* 9200	9000			
		0.0 m	kg * 3900	* 3900			* 7000	5600	* 9650	8750			
	2500 mm	- 1.5 m	kg * 4700	4600			* 6650	5550	* 9000	8700	* 8750	* 8750	
		- 3.0 m	kg * 5350	* 5350					* 7400	* 7400			
		- 4.5 m	kg										
		7.5 m	kg * 3300	* 3300					* 4450	* 4450			
		6.0 m	kg * 2950	* 2950			* 4250	* 4250	* 4500	* 4500			
		4.5 m	kg * 2850	* 2850			* 5000	* 5000	* 5250	* 5250			
3000 mm	3.0 m	kg * 2900	* 2900	* 4300	4200	* 6000	5950	* 7550	* 7550				
	1.5 m	kg * 3050	* 3050	* 5200	4150	* 6600	5750	* 8950	8950				
	0.0 m	kg * 3400	* 3400	* 5250	4050	* 6950	5600	* 9550	8750				
	- 1.5 m	kg * 4100	* 4100			* 6750	5550	* 9300	8700	* 8350	* 8350		
	- 3.0 m	kg * 5000	* 5000			* 5650	5600	* 8000	8000				
	- 4.5 m	kg											

Lifting capacity / two-piece boom / undercarriage width 2.75 m


Arm length	A B	7.5 m		6.0 m		4.5 m		3.0 m		1.5 m			
		Rating over front	Rating over side	Rating over front	Rating over side	Rating over front	Rating over side	Rating over front	Rating over side	Rating over front	Rating over side		
 <p>Without stabiliser</p>	2100 mm	7.5 m	kg * 3850	* 3850			* 4750	* 4750					
		6.0 m	kg * 3350	2900		4050	3150	* 5350	5000				
		4.5 m	kg 3000	2350		3950	3100	6200	4800	* 6650	* 6650		
		3.0 m	kg 2700	2100	2700	2100	3800	3000	5850	4500			
		1.5 m	kg 2600	2000	2700	2050	3650	2850	5500	4150			
		0.0 m	kg 2650	2050			3550	2700	5300	4000			
	2500 mm	-1.5 m	kg 2950	2250			3500	2700	5250	3900	* 8750	7200	
		-3.0 m	kg 3750	2850					5350	4000			
		-4.5 m	kg										
		7.5 m	kg * 3300	* 3300				* 4450	* 4450				
		6.0 m	kg * 2950	2650		4050	3200	* 4500	* 4500				
		4.5 m	kg 2800	2150		4000	3150	* 5250	4900				
	3000 mm	3.0 m	kg 2550	1950	2700	2100	3850	3000	5950	4550			
		1.5 m	kg 2400	1850	2650	2050	3700	2850	5550	4200			
		0.0 m	kg 2450	1900	2600	2000	3550	2700	5300	3950			
-1.5 m		kg 2700	2050			3500	2650	5250	3900	* 8350	7100		
-3.0 m		kg 3300	2500			3500	2700	5250	3900				
-4.5 m		kg											
 <p>Front or rear blade</p>	2100 mm	7.5 m	kg * 3850	* 3850			* 4750	* 4750					
		6.0 m	kg * 3350	3350		* 4350	3650	* 5350	* 5350				
		4.5 m	kg * 3250	2700		* 5650	3600	* 6450	5550	* 6650	* 6650		
		3.0 m	kg * 3300	2450	* 3600	2450	* 6250	3450	* 8000	5250			
		1.5 m	kg * 3500	2350	* 4550	2400	* 6750	3300	* 9200	4900			
		0.0 m	kg * 3900	2400			* 7000	3200	* 9650	4700			
	2500 mm	-1.5 m	kg * 4700	2650			* 6650	3150	* 9000	4650	* 8750	8750	
		-3.0 m	kg * 5350	3400					* 7400	4750			
		-4.5 m	kg										
		7.5 m	kg * 3300	* 3300				* 4450	* 4450				
		6.0 m	kg * 2950	* 2950		* 4250	3700	* 4500	* 4500				
		4.5 m	kg * 2850	2550		* 5000	3600	* 5250	* 5250				
	3000 mm	3.0 m	kg * 2900	2250	* 4300	2450	* 6000	3450	* 7550	5300			
		1.5 m	kg * 3050	2200	* 5200	2400	* 6600	3300	* 8950	4950			
		0.0 m	kg * 3400	2250	* 5250	2350	* 6950	3150	* 9550	4700			
-1.5 m		kg * 4100	2400			* 6750	3150	* 9300	4650	* 8350	* 8350		
-3.0 m		kg * 5000	2950			* 5650	3150	* 8000	4650				
-4.5 m		kg											
 <p>Rear outrigger</p>	2100 mm	7.5 m	kg * 3850	* 3850			* 4750	* 4750					
		6.0 m	kg * 3350	* 3350		* 4350	* 4350	* 5350	* 5350				
		4.5 m	kg * 3250	* 3250		* 5650	4450	* 6450	* 6450	* 6650	* 6650		
		3.0 m	kg * 3300	3050	* 3600	3050	* 6250	4300	* 8000	6600			
		1.5 m	kg * 3500	2950	* 4550	3000	* 6750	4150	* 9200	6250			
		0.0 m	kg * 3900	3000			* 7000	4050	* 9650	6050			
	2500 mm	-1.5 m	kg * 4700	3300			* 6650	4000	* 9000	6000	* 8750	* 8750	
		-3.0 m	kg * 5350	4250					* 7400	6100			
		-4.5 m	kg										
		7.5 m	kg * 3300	* 3300				* 4450	* 4450				
		6.0 m	kg * 2950	* 2950		* 4250	* 4250	* 4500	* 4500				
		4.5 m	kg * 2850	* 2850		* 5000	4500	* 5250	* 5250				
	3000 mm	3.0 m	kg * 2900	2850	* 4300	3100	* 6000	4350	* 7550	6700			
		1.5 m	kg * 3050	2750	5150	3000	* 6600	4150	* 8950	6300			
		0.0 m	kg * 3400	2800	5100	2950	* 6950	4050	* 9550	6050			
-1.5 m		kg * 4100	3050			* 6750	3950	* 9300	6000	* 8350	* 8350		
-3.0 m		kg * 5000	3700			* 5650	4000	* 8000	6000				
-4.5 m		kg											

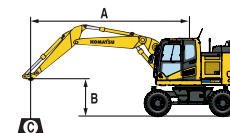


- A** – Reach from swing center
 - B** – Bucket hook height
 - C** – Lifting capacities, including bucket linkage (190 kg) and bucket cylinder (104 kg)
- Rating over front
 - Rating over side
 - Rating at max. reach

When removing linkage or cylinder, lifting capacities can be increased by their respective weights.

* Load is limited by hydraulic capacity rather than tipping. Ratings are based on ISO standard 10567. Rated loads do not exceed 87% of hydraulic lift capacity or 75% of tipping load.

Arm length	A	B	⊗		7.5 m		6.0 m		4.5 m		3.0 m		1.5 m		
			⊗	⊗	⊗	⊗	⊗	⊗	⊗	⊗	⊗	⊗	⊗		
 <p>Outrigger + blade</p>	2100 mm	7.5 m	kg	* 3850	* 3850					* 4750	* 4750				
		6.0 m	kg	* 3350	* 3350		* 4350	* 4350	* 5350	* 5350					
		4.5 m	kg	* 3250	* 3250		* 5650	5500	* 6450	* 6450	* 6650	* 6650			
		3.0 m	kg	* 3300	* 3300	* 3600	* 3600	* 6250	5300	* 8000	* 8000				
		1.5 m	kg	* 3500	* 3500	* 4550	3750	* 6750	5150	* 9200	7950				
		0.0 m	kg	* 3900	3750			* 7000	5050	* 9650	7800				
	2500 mm	- 1.5 m	kg	* 4700	4150			* 6650	5000	* 9000	7700	* 8750	* 8750		
		- 3.0 m	kg	* 5350	5350					* 7400	* 7400				
		- 4.5 m	kg												
		7.5 m	kg	* 3300	* 3300					* 4450	* 4450				
		6.0 m	kg	* 2950	* 2950			* 4250	* 4250	* 4500	* 4500				
		4.5 m	kg	* 2850	* 2850			* 5000	* 5000	* 5250	* 5250				
3000 mm	3.0 m	kg	* 2900	* 2900	* 4300	3800	* 6000	5350	* 7550	* 7550					
	1.5 m	kg	* 3050	* 3050	* 5200	3750	* 6600	5150	* 8950	8000					
	0.0 m	kg	* 3400	* 3400	* 5250	3650	* 6950	5050	* 9550	7800					
	- 1.5 m	kg	* 4100	3800			* 6750	4950	* 9300	7650	* 8350	* 8350			
	- 3.0 m	kg	* 5000	4650			* 5650	5000	* 8000	7700					
	- 4.5 m	kg													



A – Reach from swing center

B – Bucket hook height

C – Lifting capacities, including bucket linkage (190 kg) and bucket cylinder (104 kg)


⊗ – Rating over front

⊗ – Rating over side

⊗ – Rating at max. reach

When removing linkage or cylinder, lifting capacities can be increased by their respective weights.

* Load is limited by hydraulic capacity rather than tipping. Ratings are based on ISO standard 10567. Rated loads do not exceed 87% of hydraulic lift capacity or 75% of tipping load.

 <p>Outrigger front + rear</p>	2100 mm	7.5 m	kg	* 3850	* 3850					* 4750	* 4750				
		6.0 m	kg	* 3350	* 3350		* 4350	* 4350	* 5350	* 5350					
		4.5 m	kg	* 3250	* 3250		* 5650	* 5650	* 6450	* 6450	* 6650	* 6650			
		3.0 m	kg	* 3300	* 3300	* 3600	* 3600	* 6250	* 6250	* 8000	* 8000				
		1.5 m	kg	* 3500	* 3500	* 4550	4500	* 6750	6300	* 9200	* 9200				
		0.0 m	kg	* 3900	* 3900			* 7000	6200	* 9650	* 9650				
	2500 mm	- 1.5 m	kg	* 4700	* 4700			* 6650	6150	* 9000	* 9000	* 8750	* 8750		
		- 3.0 m	kg	* 5350	* 5350					* 7400	* 7400				
		- 4.5 m	kg												
		7.5 m	kg	* 3300	* 3300					* 4450	* 4450				
		6.0 m	kg	* 2950	* 2950			* 4250	* 4250	* 4500	* 4500				
		4.5 m	kg	* 2850	* 2850			* 5000	* 5000	* 5250	* 5250				
3000 mm	3.0 m	kg	* 2900	* 2900	* 4300	* 4300	* 6000	* 6000	* 7550	* 7550					
	1.5 m	kg	* 3050	* 3050	* 5200	4500	* 6600	6350	* 8950	* 8950					
	0.0 m	kg	* 3400	* 3400	* 5250	4500	* 6950	6200	* 9550	* 9550					
	- 1.5 m	kg	* 4100	* 4100			* 6750	6150	* 9300	* 9300	* 8350	* 8350			
	- 3.0 m	kg	* 5000	* 5000			* 5650	* 5650	* 8000	* 8000					
	- 4.5 m	kg													

Standard and optional equipment

Engine

Komatsu SAA4D107E-5 turbocharged common rail direct injection diesel engine	●
EU Stage V compliant	●
Suction type cooling fan	●
Automatic engine warm-up system	●
Engine overheat prevention system	●
Fuel control dial	●
Auto-deceleration function	●
Adjustable idle shutdown	●
Engine ignition can be password secured on request	●
Batteries 2 × 12 V / 125 Ah	●
Alternator 24 V / 85 A	●
Starter motor 24 V / 4.5 kW	●

Hydraulic system

Electronic closed-centre load sensing (E-CLSS) hydraulic system (HydraMind)	●
Pump and engine mutual control (PEMC) system	●
6-working mode selection system; Power, Lifting/Fine Operation, Breaker, Economy, Attachment Power and Attachment Economy	●
PowerMax function	●
Adjustable PPC wrist control levers for arm, boom, bucket and swing, with sliding proportional control for attachments and 5 auxiliary buttons, with FNR switch	●
Additional hydraulic circuit (HCU-B)	●
Additional hydraulic circuit (HCU-C)	○
Clamshell bucket activation	○
Komatsu Integrated Attachment Control (KIAC)	○
Boom suspension system (ECSS)	○
Prepared for hydraulic quick-coupler	○
Drainage line	○

Undercarriage

Parallel blade (front and/or rear) with cylinder protection	○
2 or 4 outriggers with cylinder protection, individually adjustable	○
Limited-slip differential (LSD)	○
Twin tyres 10.00-20 16 PR	○
Twin tyres (solid tyres) 10.00-20	○
Twin tyres 315/70 R22.5	○
Single tyres 445/70 R19.5	○
Single tyres 710/40 22.5	○
Trailer hitches	○
Fenders	○

Cabin

SpaceCab™, ROPS, Highly pressurised and tightly sealed hyper viscous mounted cab with tinted safety glass windows, large roof window with sun shade, pull-up type front window with locking device, removable lower window, front window wiper with intermittent feature, sun roller blind, cigarette lighter, luggage shelf, floor mat	●
Heated air suspension seat with lumbar support, arm rests and retractable seat belt	●
Automatic climate control system	●
12/24 Volt power supplies	●
Beverage holder and magazine rack	●
Hot and cool box	●
Adjustable steering column	●
Premium comfort seat	○
DAB+ radio with Bluetooth®, USB, AUX and hands-free kit	○
Heated, adjustable, suspended seat	○
Lower wiper	○
Rain visor (not with OPG)	○
Joystick steering system	○

Safety equipment

KomVision surround view system	●
Electric horn	●
Overload warning device	●
Lockable fuel cap and covers	●
Audible travel alarm	●
Large handrails, rear-view mirrors	●
Battery main switch	●
Boom safety valves	●
Arm safety valve	●
Adjust cylinder safety valve	●
Emergency engine stop switch	●
OPG Level II front guard (FOPS)	○
OPG Level II top guard (FOPS)	○
Audible travel alarm (white noise version)	○

Lighting system

Standard halogen working lights package	●
LED working lights package	○
Advanced LED working lights package	○
Beacon	○

Service and maintenance

Automatic fuel line de-aeration	●
Double element type air cleaner with dust indicator and auto dust evacuator	●
Komtrax – Komatsu wireless monitoring system (4G)	●
Multifunction video compatible colour monitor with Equipment Management and Monitoring System (EMMS) and efficiency guidance	●
Toolkit	●
Komatsu Care – a maintenance program for Komatsu customers	●
Remote greasing bar	●
Automatic greasing system	○

Drives and brakes

Fully automatic 3-speed transmission driving through front and rear planetary axles	●
Oscillating front axle (8°) with automatic and manual cylinder locking	●
Cruise control	●
2.55 m wide undercarriage	●
2.75 m wide undercarriage	○
20, 25 or 35 km/h speed limitation	○
Transmission guard	○
Automatic digging brake	○

Work equipment

Two-piece boom	●
Boom floating	○
2100 mm; 2500 mm; 3000 mm arms	○
Komatsu breakers	○
Komatsu buckets	○

Other equipment

Standard counterweight	●
Electric refuelling pump with automatic shut-off function	●
Single chassis tool box	●
Additional chassis tool box	○
Clamshell grip bar	○
Biodegradable oil for hydraulic system	○
Customised paint	○
License plate holder	○

Further equipment on request

- standard equipment
- optional equipment

This specification sheet may contain attachments and optional equipment that are not available in your area. Please consult your local Komatsu distributor for those items you may require. Materials and specifications are subject to change without notice.

Your Komatsu partner:

KOMATSU

[komatsu.eu](https://www.komatsu.eu)

